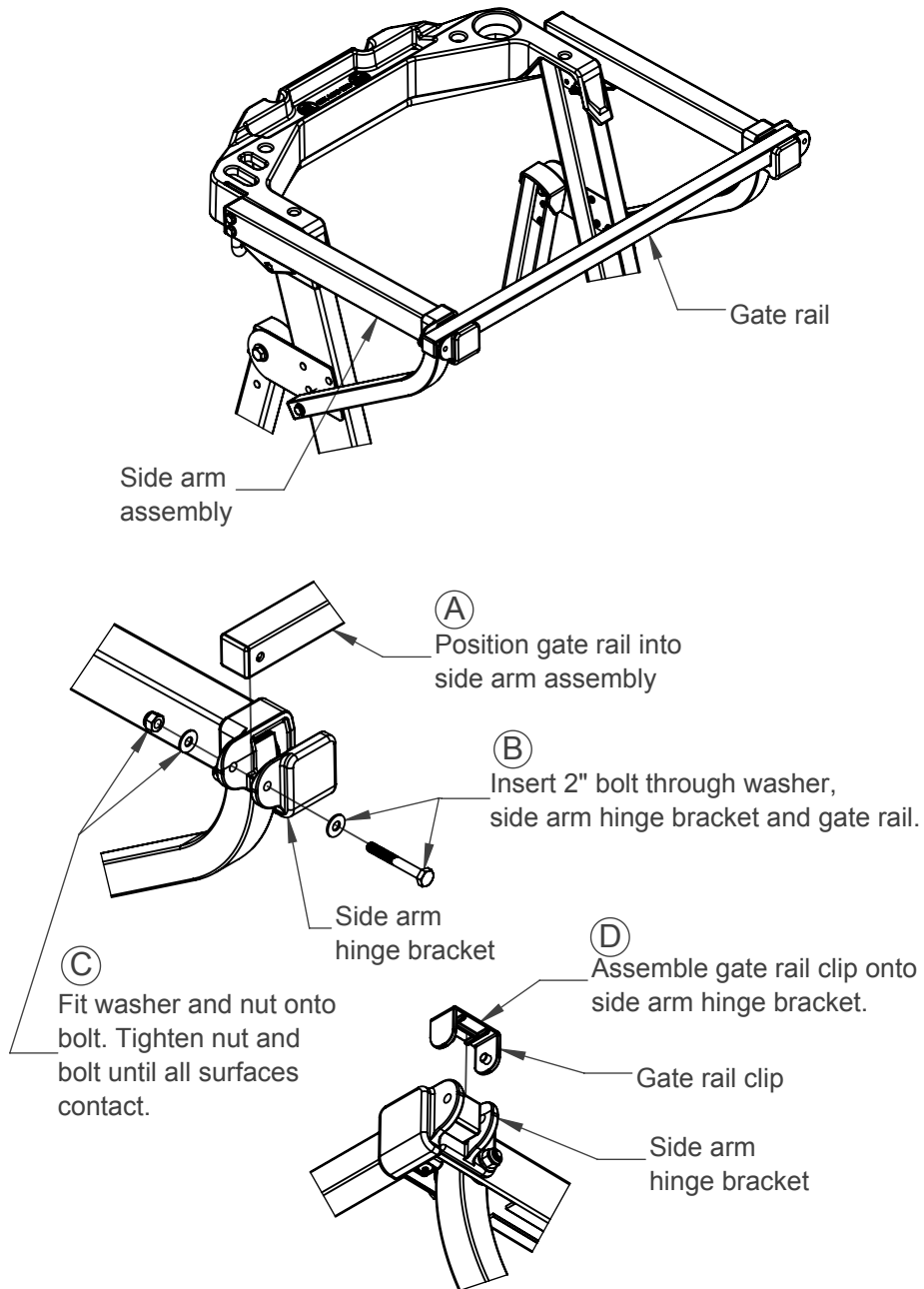
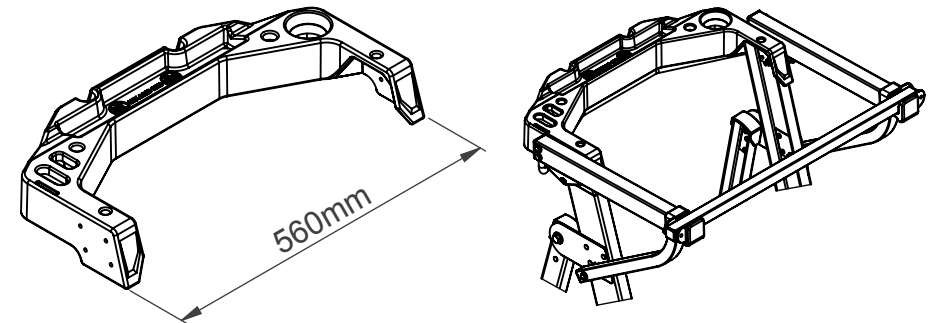


Step 6 - Assembly of Gate Rail



SAFETY GATE ASSEMBLY INSTRUCTIONS TO SUIT ALUMINIUM / FIBREGLASS PLATFORM STEP LADDERS WITH 560mm HANDRAIL WIDTH

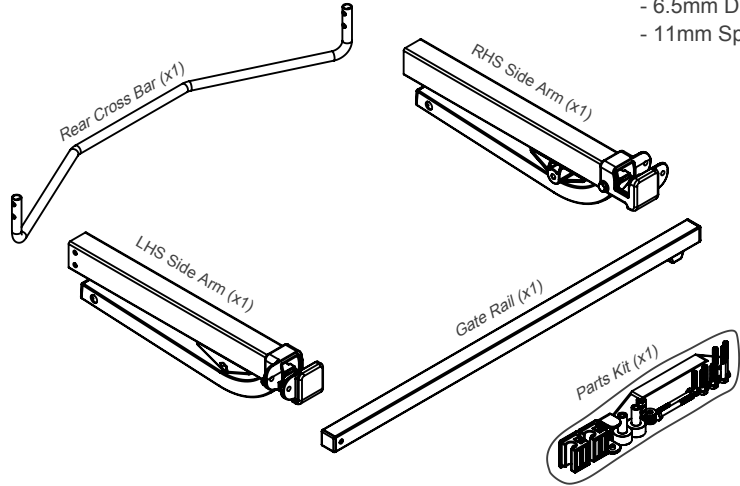


Please read all these instructions completely before mounting and using the Safety Gate.

- Do not attempt to fit this Safety Gate unless you are competent in the use of hand tools including: Spanners and Power Tools.
- Do not attempt to fit this Safety Gate unless you understand basic technical drawings and can relate such drawings to step by step instructions.
- If you do not understand these instructions, contact your employer, dealer, or the manufacturer for assistance.
- Your original product has been manufactured to exacting standards.
- If the Safety Gate is fitted incorrectly you can compromise your safety and the integrity of the product.
- If the Safety Gate is fitted incorrectly Werner Co. will not be liable for any damage or personal injury which occurs as a result.
- By fitting this Safety Gate to your product you may void the warranty on the product.
- If used and cared for properly, it will provide you with many years of reliable service.
- Prior to commencement, identify all the kit components required.
- If any components are missing or damaged, return the kit to the place of purchase.
- **WARNING:** Do not substitute any components.

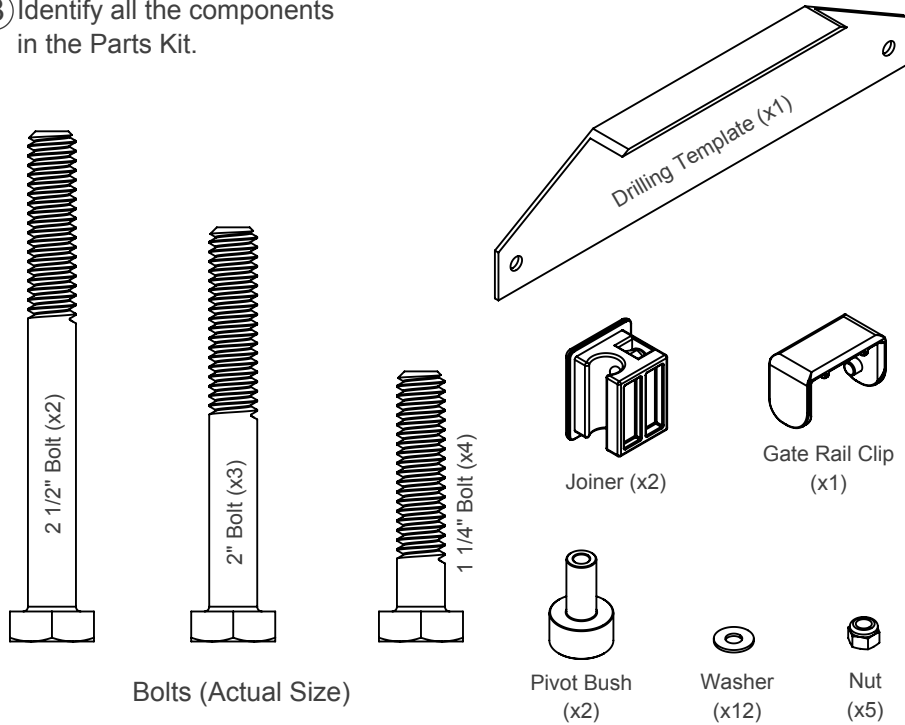
Step 1 - Identify Kit Components

(A) Identify all the components in the carton.

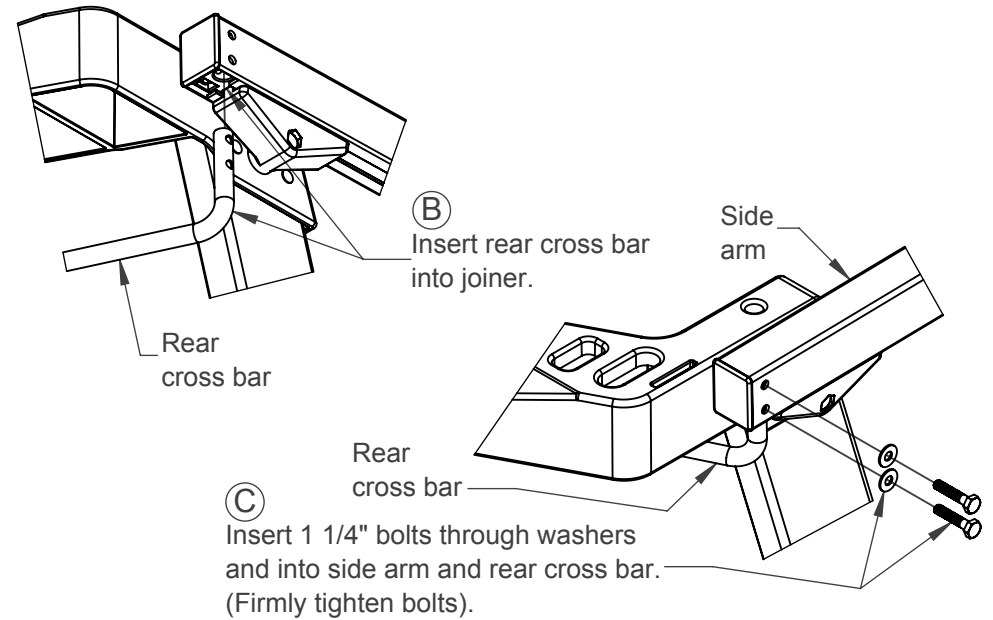
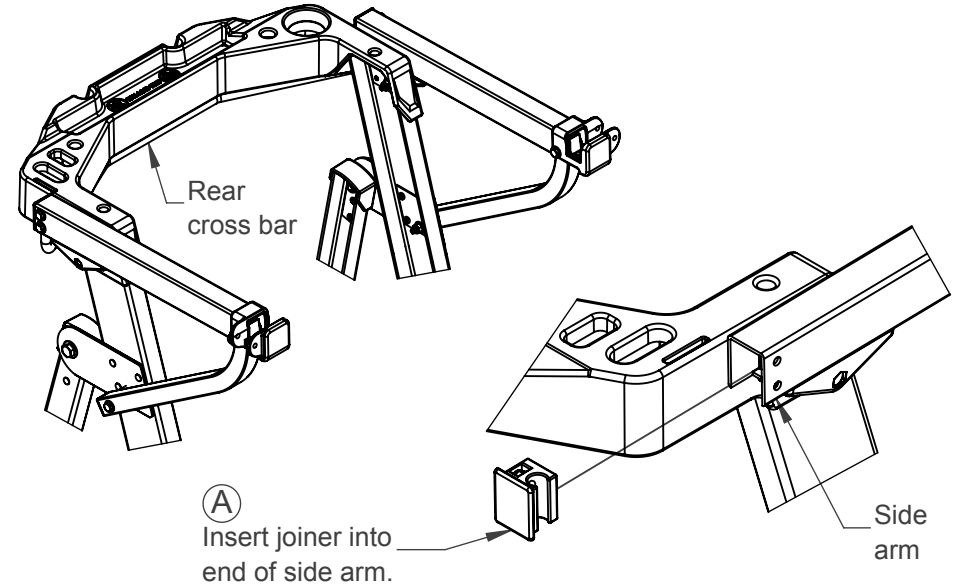


Tools required:
- Clamp
- Drill
- 6.5mm Drill bit
- 11mm Spanners (x2)

(B) Identify all the components in the Parts Kit.

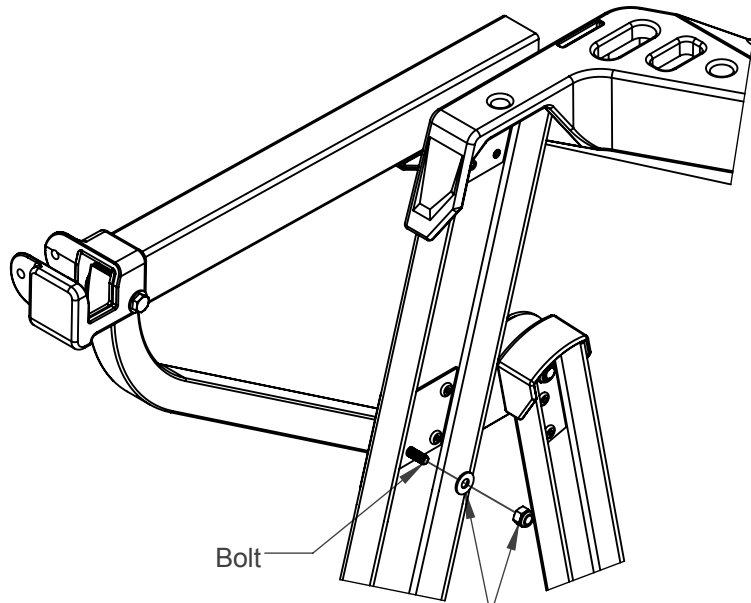


Step 5 - Assembly of Rear Cross Bar

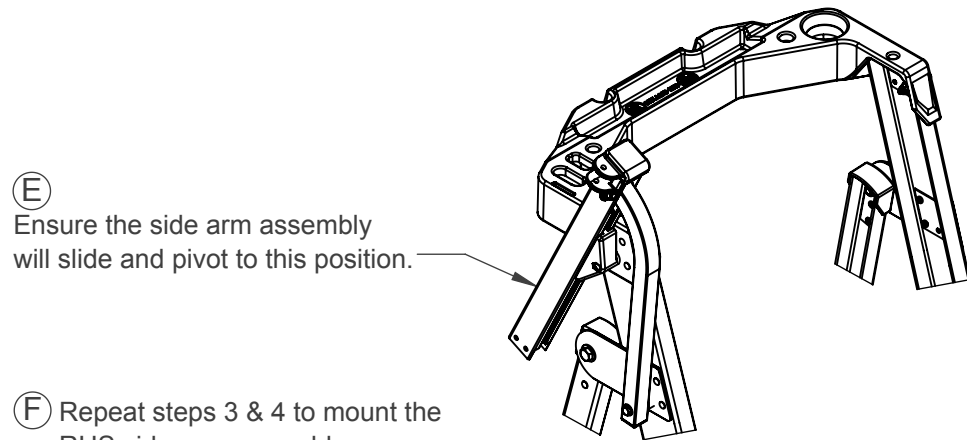


(D) Repeat step 5 to assemble the other end of the rear cross bar.

Step 4 (continued) - Mounting LHS Side Arm Assembly



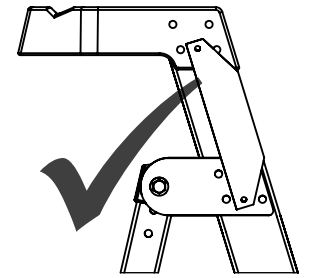
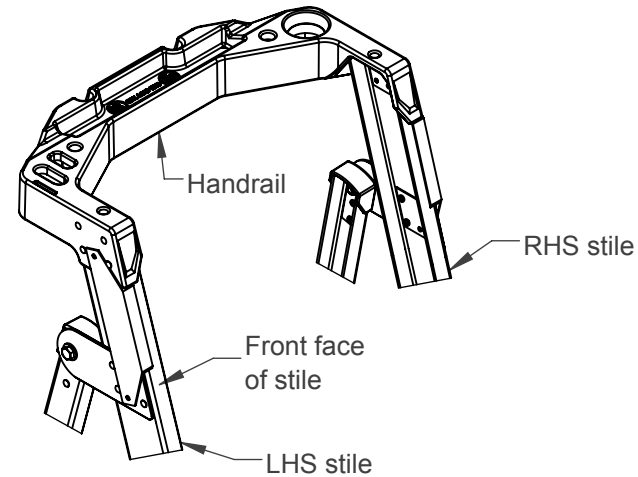
- D** Assemble washer and nut onto bolt.
(Firmly tighten nut and bolt).



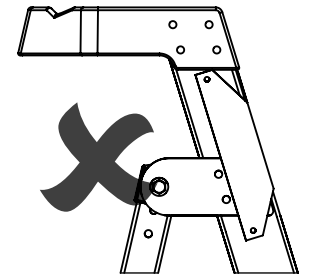
- E** Ensure the side arm assembly will slide and pivot to this position.

- F** Repeat steps 3 & 4 to mount the RHS side arm assembly.

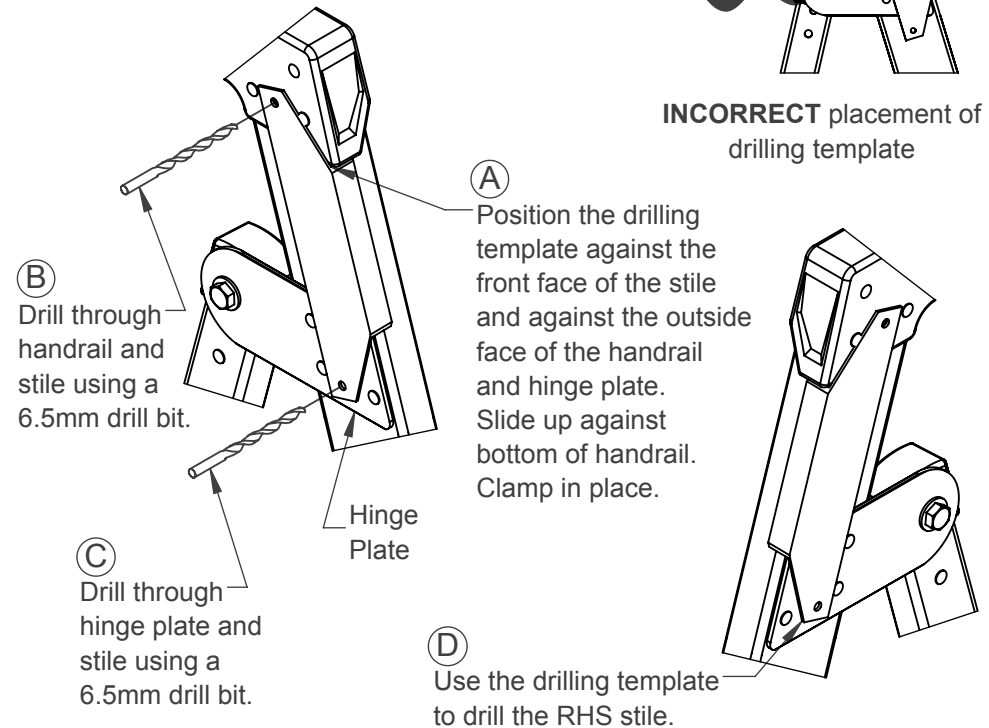
Step 2 - Drill Mounting Holes



CORRECT placement of drilling template



INCORRECT placement of drilling template



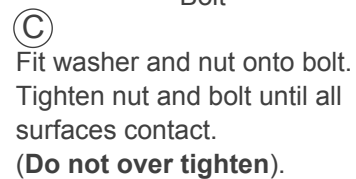
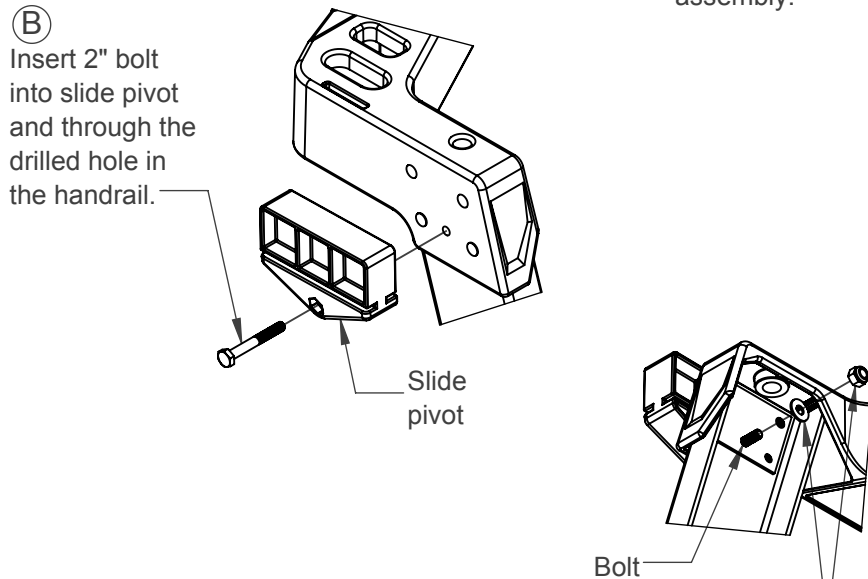
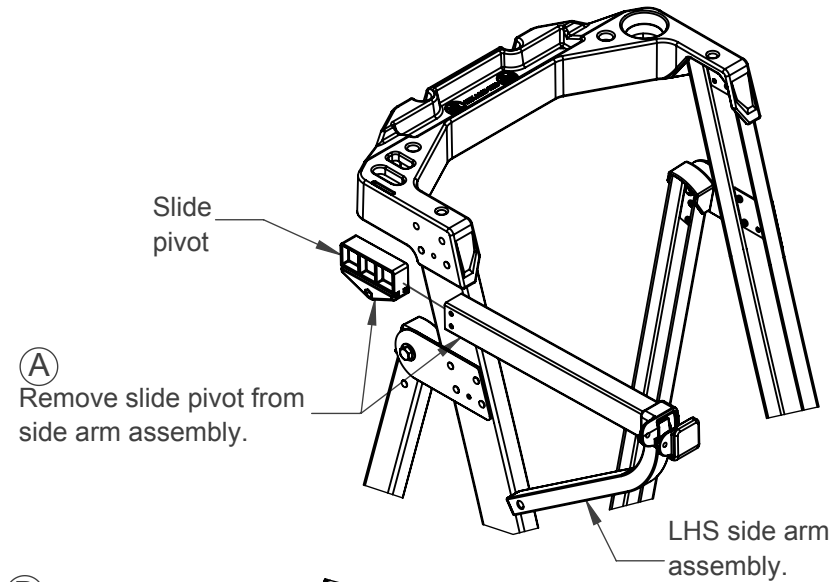
- B** Drill through handrail and stile using a 6.5mm drill bit.

- C** Drill through hinge plate and stile using a 6.5mm drill bit.

- A** Position the drilling template against the front face of the stile and against the outside face of the handrail and hinge plate. Slide up against bottom of handrail. Clamp in place.

- D** Use the drilling template to drill the RHS stile.

Step 3 - Mount LHS Slide Pivot



Step 4 - Mounting LHS Side Arm Assembly

