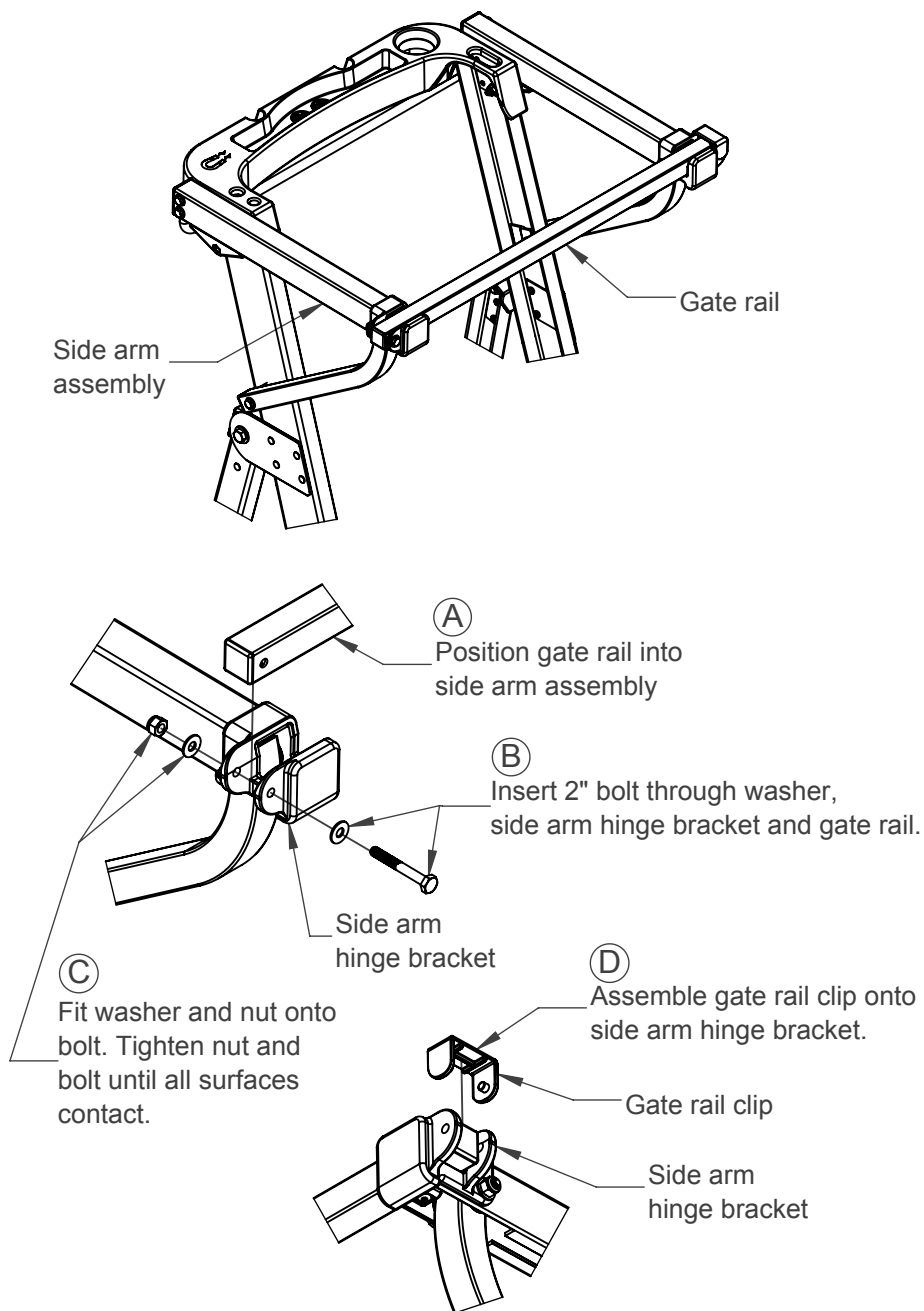
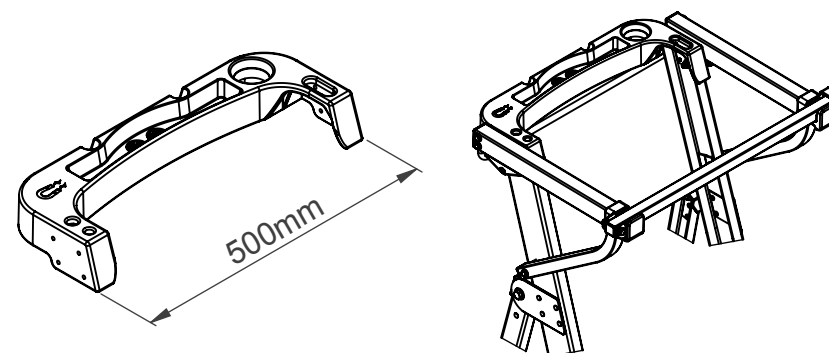


Step 6 - Assembly of Gate Rail



SAFETY GATE ASSEMBLY INSTRUCTIONS TO SUIT ALUMINIUM / FIBREGLASS PLATFORM STEP LADDERS WITH 500mm HANDRAIL WIDTH

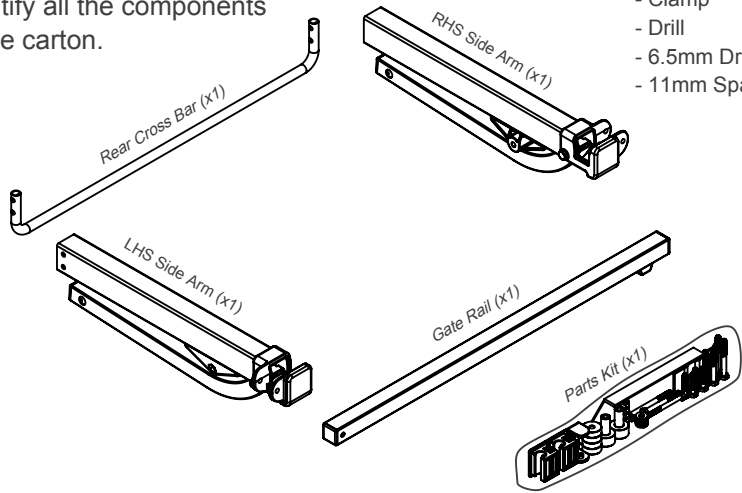


Please read all these instructions completely before mounting and using the Safety Gate.

- Do not attempt to fit this Safety Gate unless you are competent in the use of hand tools including: Spanners and Power Tools.
- Do not attempt to fit this Safety Gate unless you understand basic technical drawings and can relate such drawings to step by step instructions.
- If you do not understand these instructions, contact your employer, dealer, or the manufacturer for assistance.
- Your original product has been manufactured to exacting standards.
- If the Safety Gate is fitted incorrectly you can compromise your safety and the integrity of the product.
- If the Safety Gate is fitted incorrectly Werner Co. will not be liable for any damage or personal injury which occurs as a result.
- By fitting this Safety Gate to your product you may void the warranty on the product.
- If used and cared for properly, it will provide you with many years of reliable service.
- Prior to commencement, identify all the kit components required.
- If any components are missing or damaged, return the kit to the place of purchase.
- **WARNING:** Do not substitute any components.

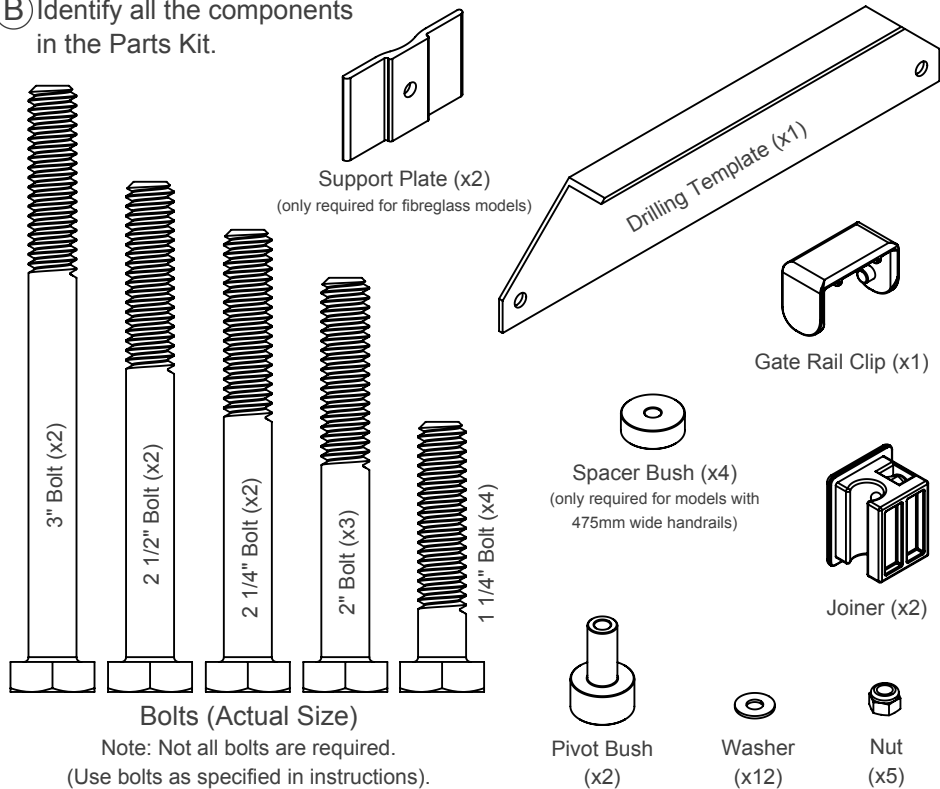
Step 1 - Identify Kit Components

(A) Identify all the components in the carton.



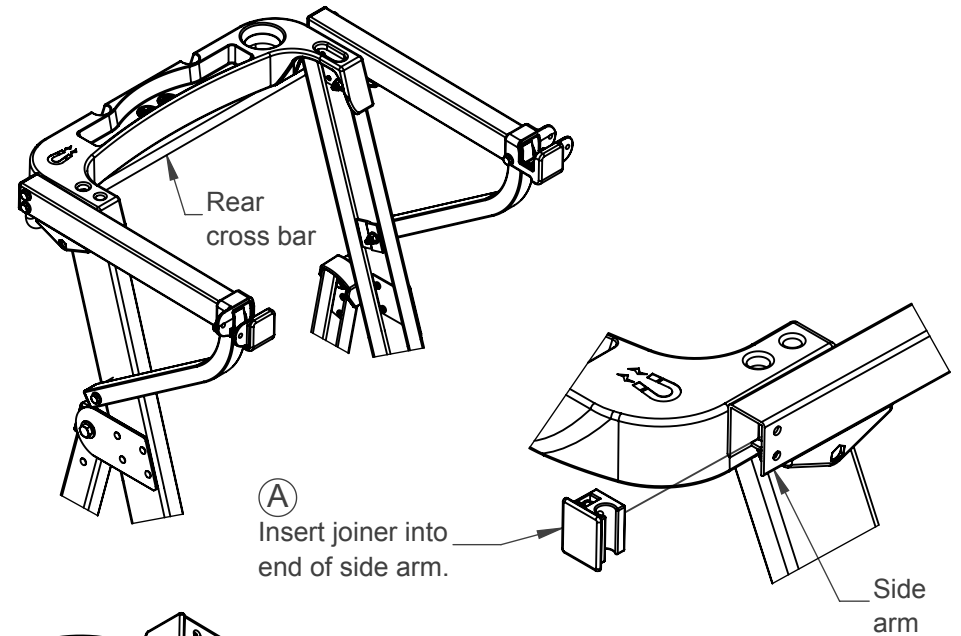
Tools required:
 - Clamp
 - Drill
 - 6.5mm Drill bit
 - 11mm Spanners (x2)

(B) Identify all the components in the Parts Kit.

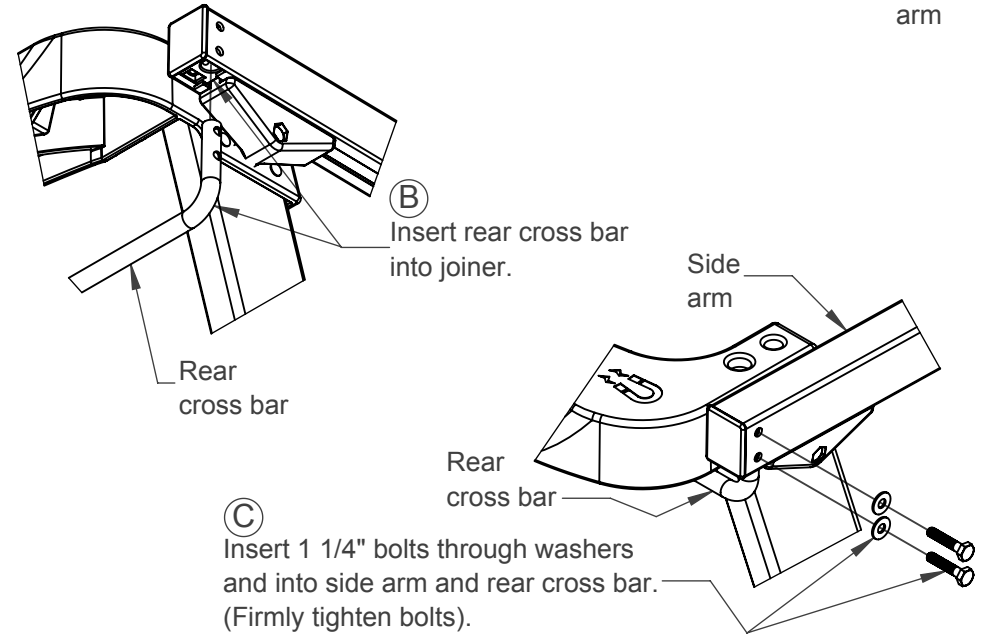


Bolts (Actual Size)
 Note: Not all bolts are required.
 (Use bolts as specified in instructions).

Step 5 - Assembly of Rear Cross Bar



(A) Insert joiner into end of side arm.

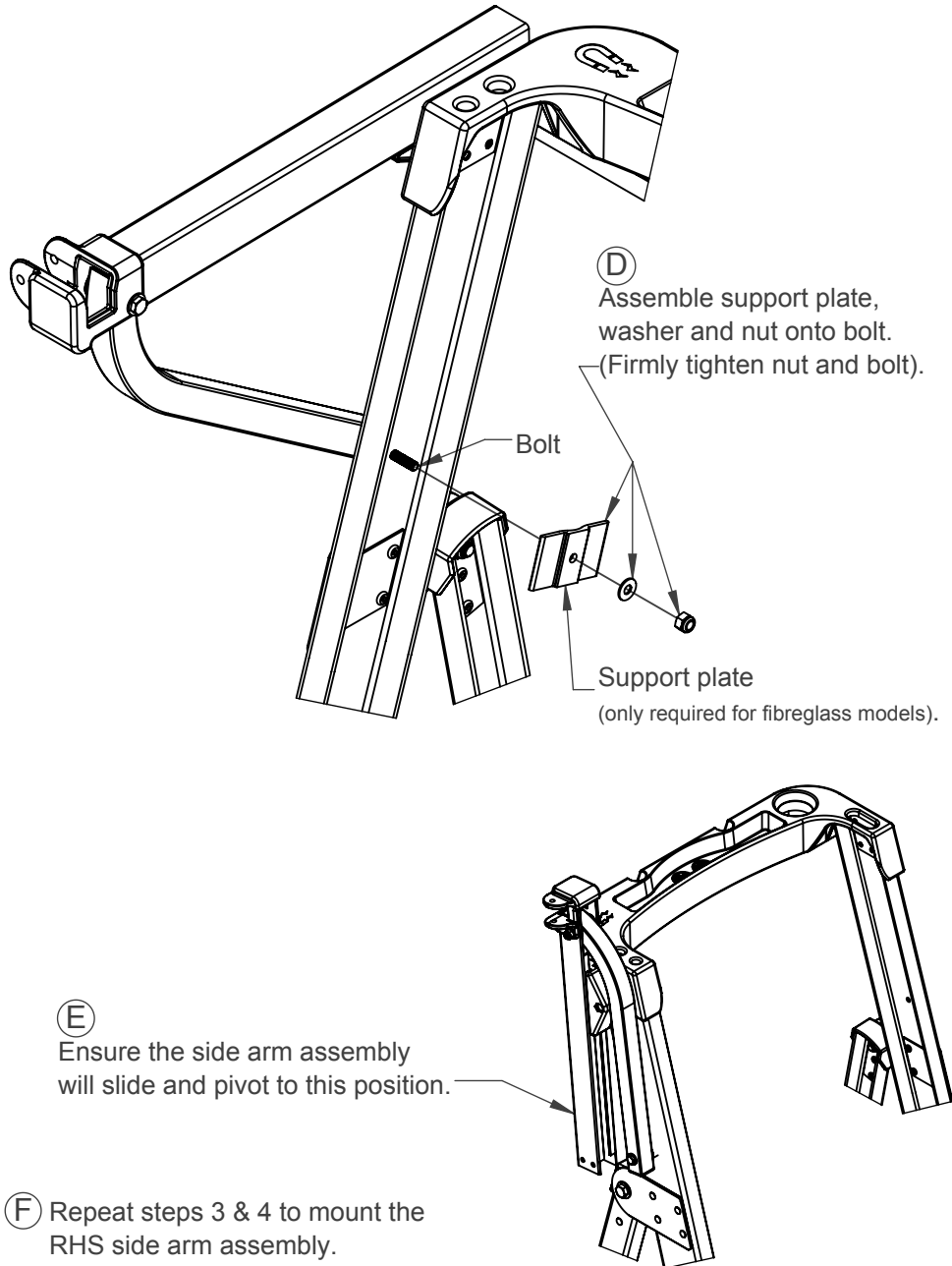


(B) Insert rear cross bar into joiner.

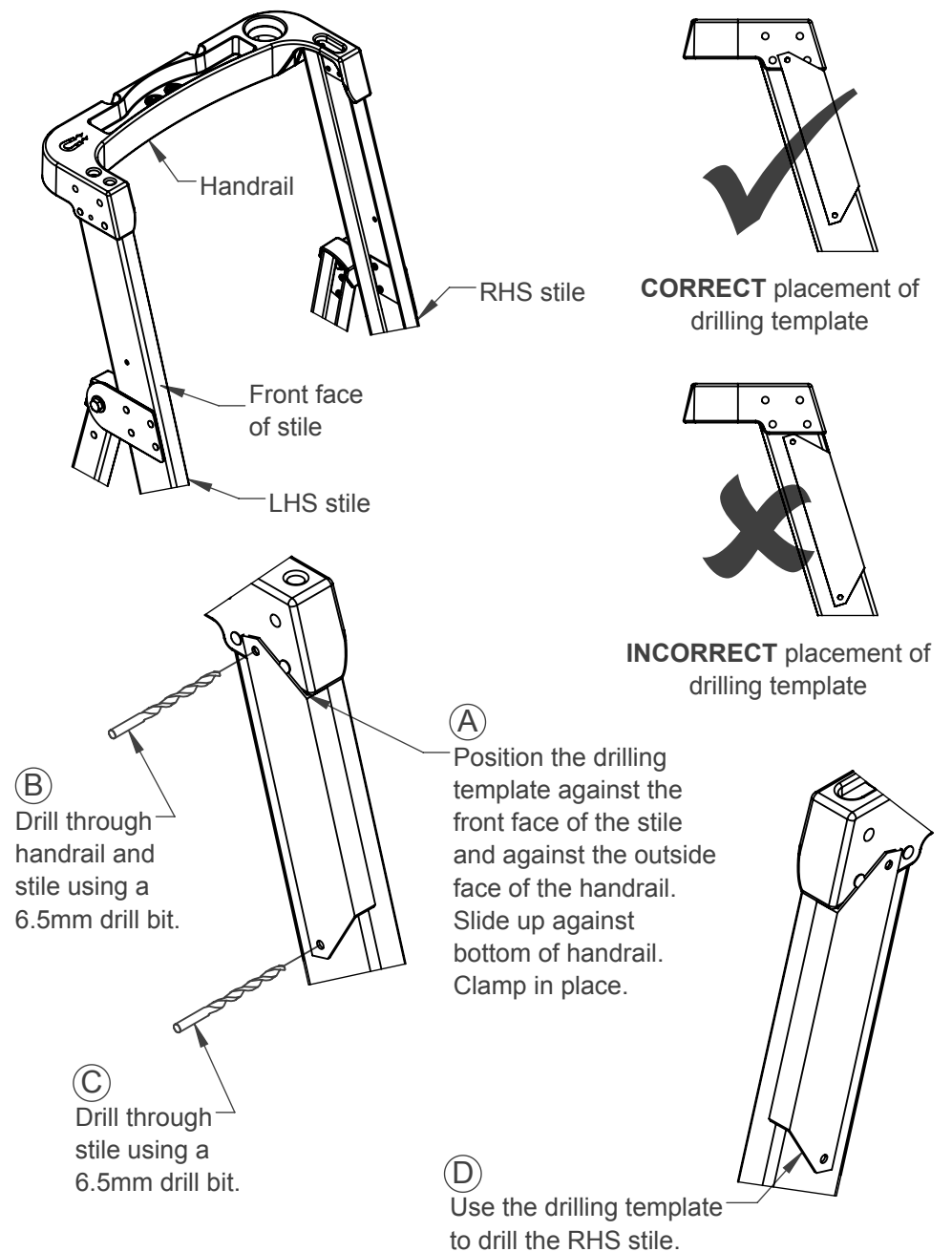
(C) Insert 1 1/4" bolts through washers and into side arm and rear cross bar. (Firmly tighten bolts).

(D) Repeat step 5 to assemble the other end of the rear cross bar.

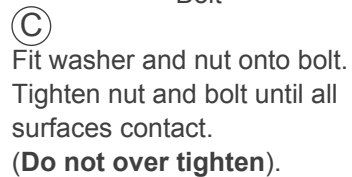
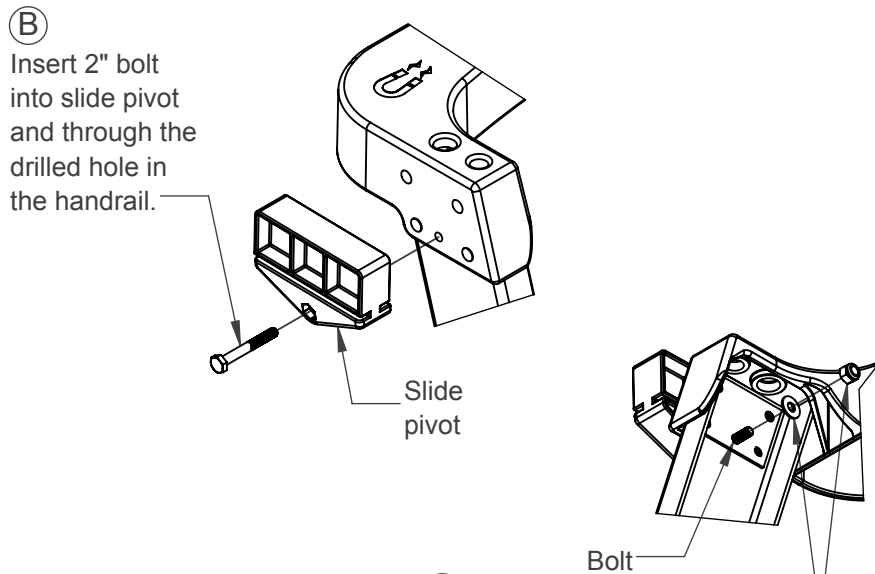
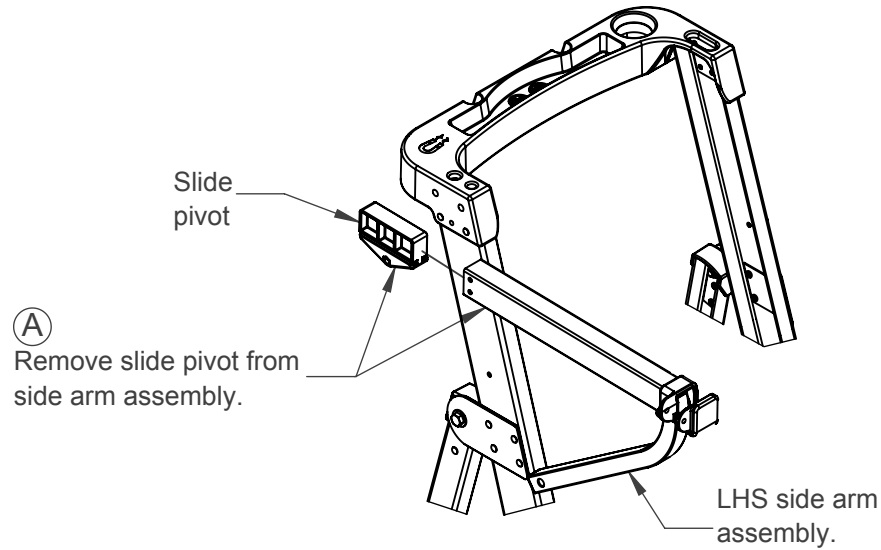
Step 4 (continued) - Mounting LHS Side Arm Assembly



Step 2 - Drill Mounting Holes



Step 3 - Mount LHS Slide Pivot



Step 4 - Mounting LHS Side Arm Assembly

