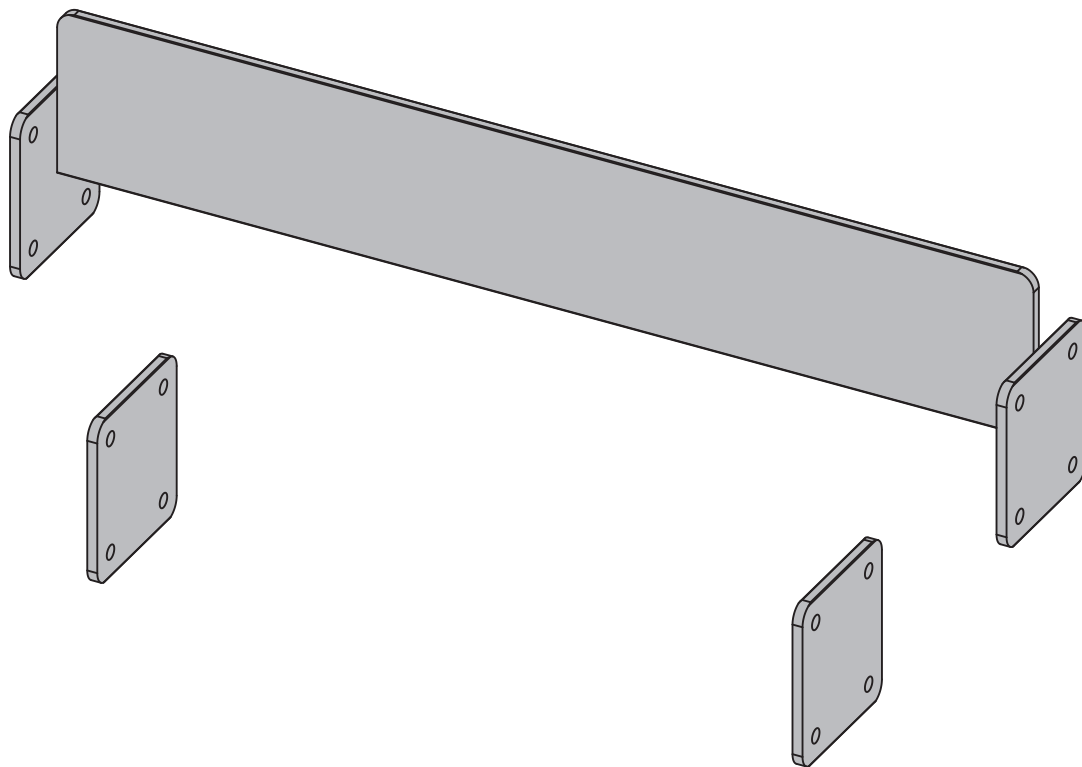


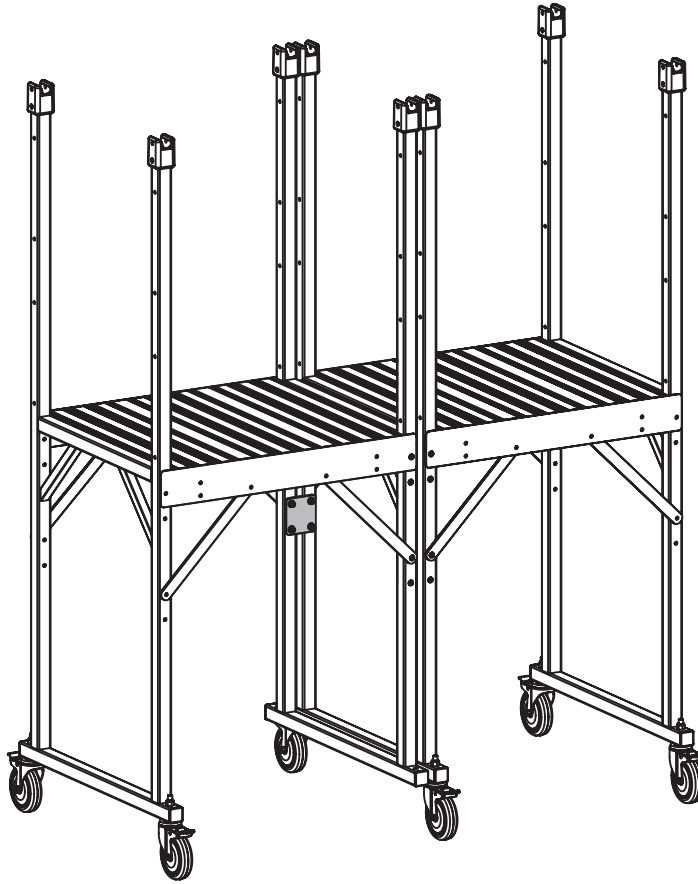
---

# ASSEMBLY MANUAL

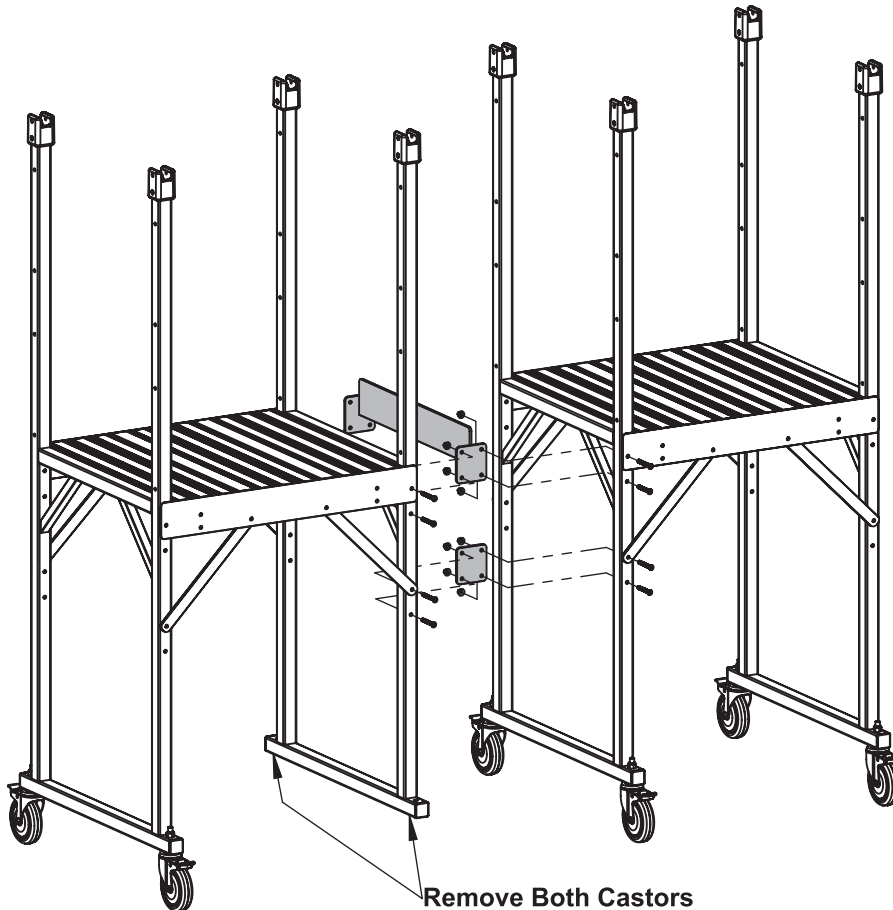
READ THESE INSTRUCTIONS COMPLETELY  
BEFORE STARTING WORK



# Typical Assembly Configuration



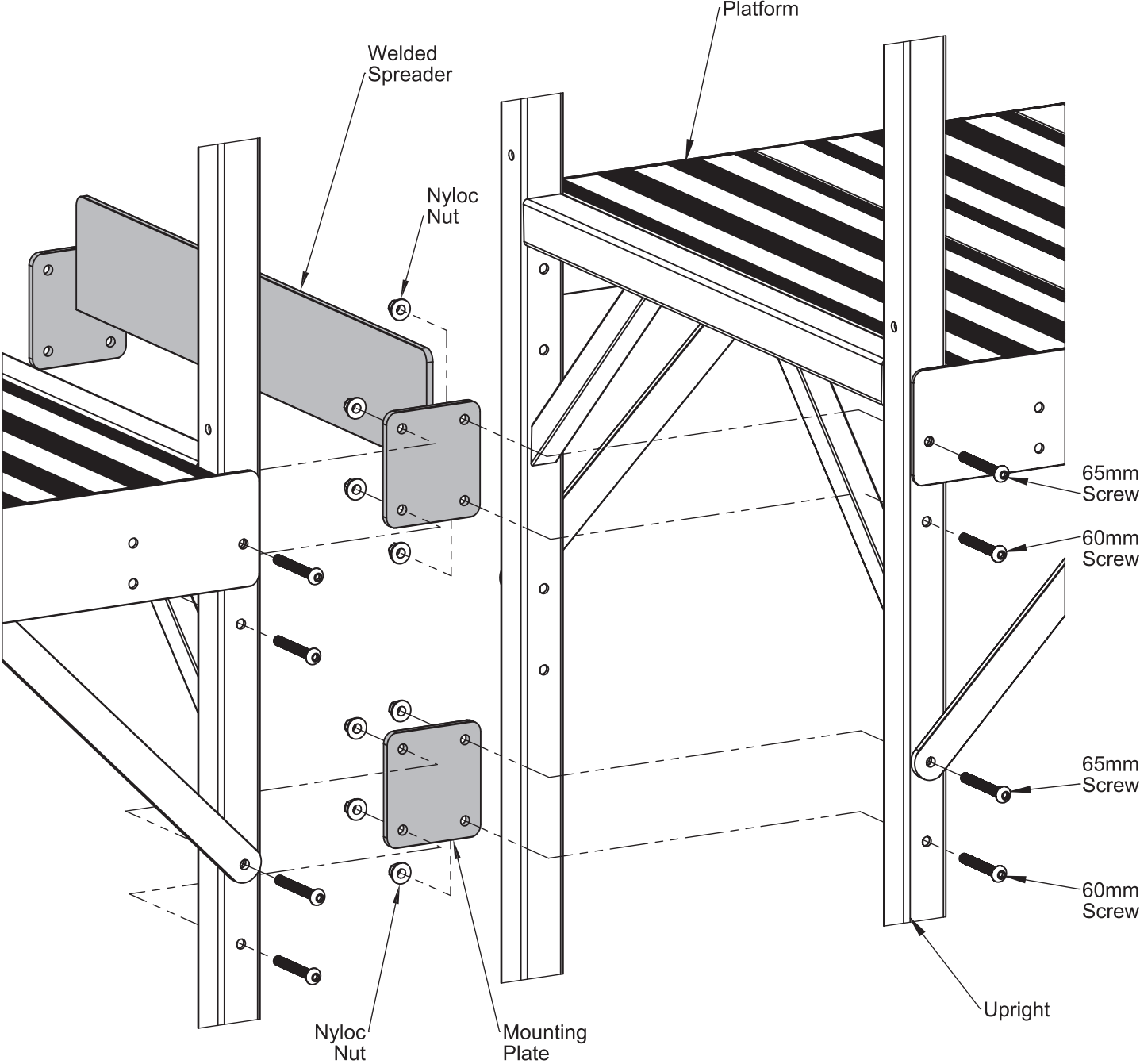
Assembled View



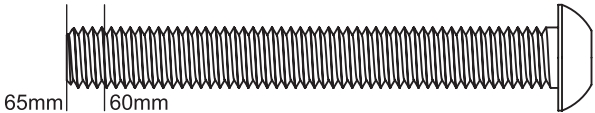
**Remove Both Castors  
from One Upright Only.**

Exploded View

# Typical Assembly Detail



Note: Assembly detail for RHS Upright shown. LHS assembly detail to be opposite.



## **WARNING:**

Failure to comply with all instructions may result in serious injury.  
Before assembling this product, identify all components.  
If any components are missing or damaged, return to the place of purchase.  
Do not substitute any components.  
Firmly tighten all fasteners.  
Do not over-tighten fasteners.

## **ATTENTION:**

For Goods Return, this package must be in original condition.  
If the contents are opened and or partially assembled  
they will not be accepted as a returnable item.

## **WARNINGS:**

AS/NZS 1892: Portable Ladders.  
Read and understand assembly instructions and labels before use.  
Inspect all components for damage before use.  
Ensure enclosed slip resistant footwear is worn at all times.  
Ensure ladder is only used on firm and level ground.  
Ensure all castors are locked before use.  
Ensure all handrails are installed before use.  
Do not overreach.  
Always keep your 'belt buckle' inside the footprint of the ladder.  
This ladder is designed and load rated to carry  
a maximum load of 170kg per platform module.  
Do not move the ladder with users, tools or materials on the platform.  
Do not use this ladder if you tire easily or are subject to  
fainting spells, are using medication, drugs or alcohol,  
are pregnant or physically handicapped.  
The manufacturer/importer Werner Co. will not be responsible for  
damage or injury to persons through misuse of ladders.